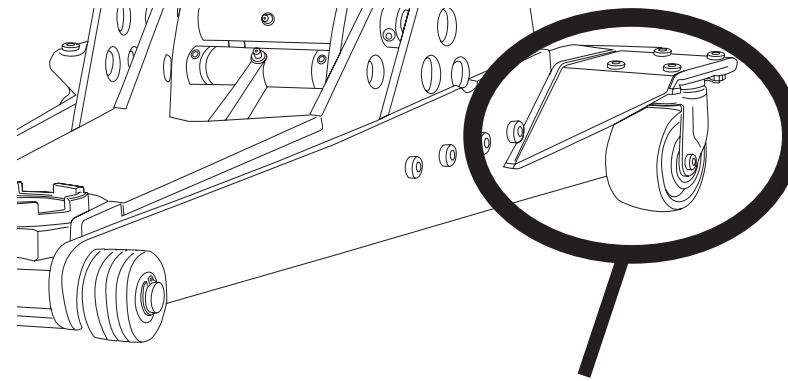
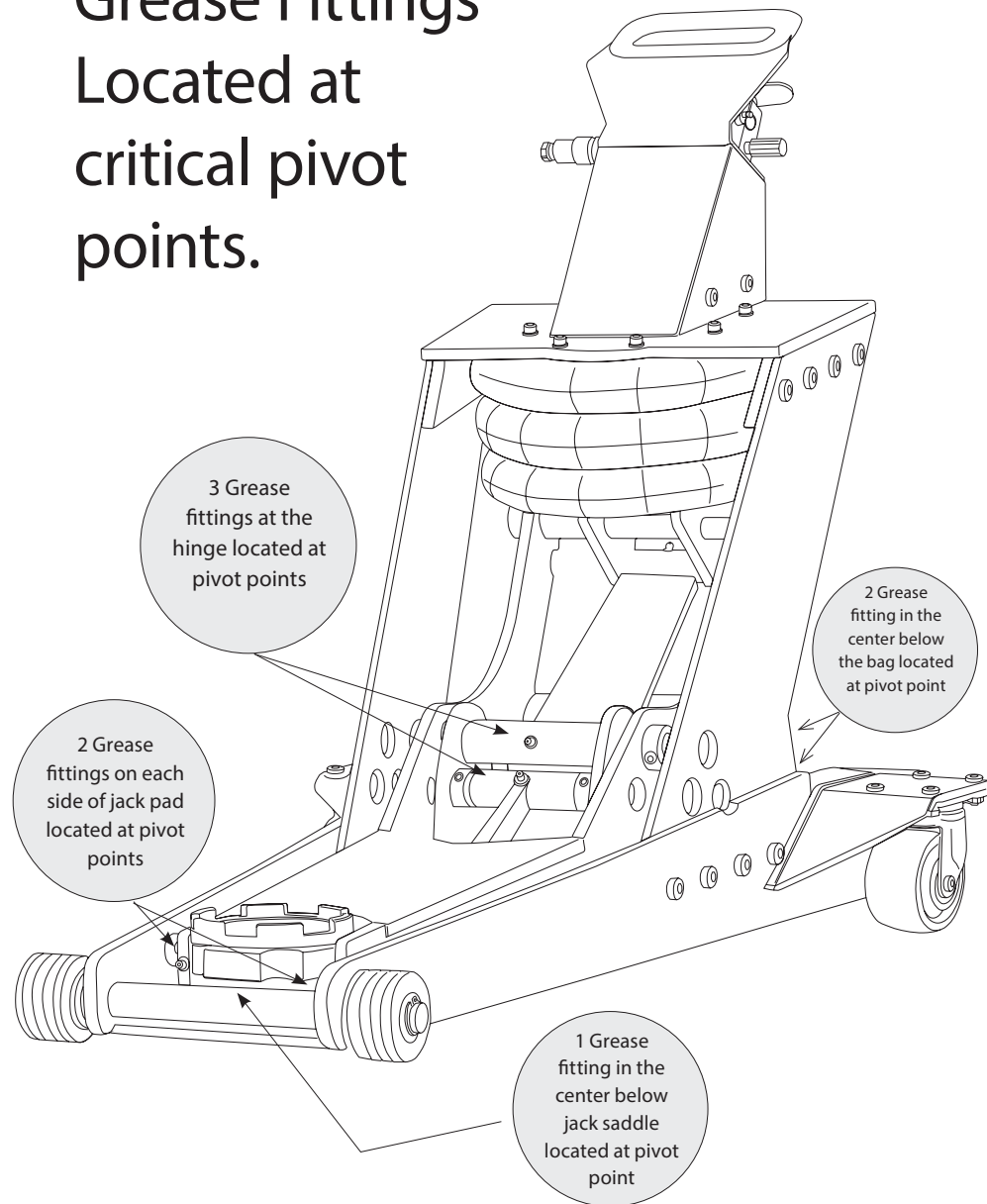


Your Jack will last a long time if you take the time to lubricate it every 1,000 cycles.

THERE ARE A TOTAL OF 8 GREASE FITTINGS

Any standard wheel bearing type grease is acceptable.

GoJak® Air™
Grease Fittings
Located at
critical pivot
points.



Make sure caster brackets with pre-mounted rear casters are on securely and facing in the correct direction. See diagram above for orientation

TO REGISTER FOR
7 YEAR WARRANTY
PLEASE GO TO:

www.zendextool.com/warranty

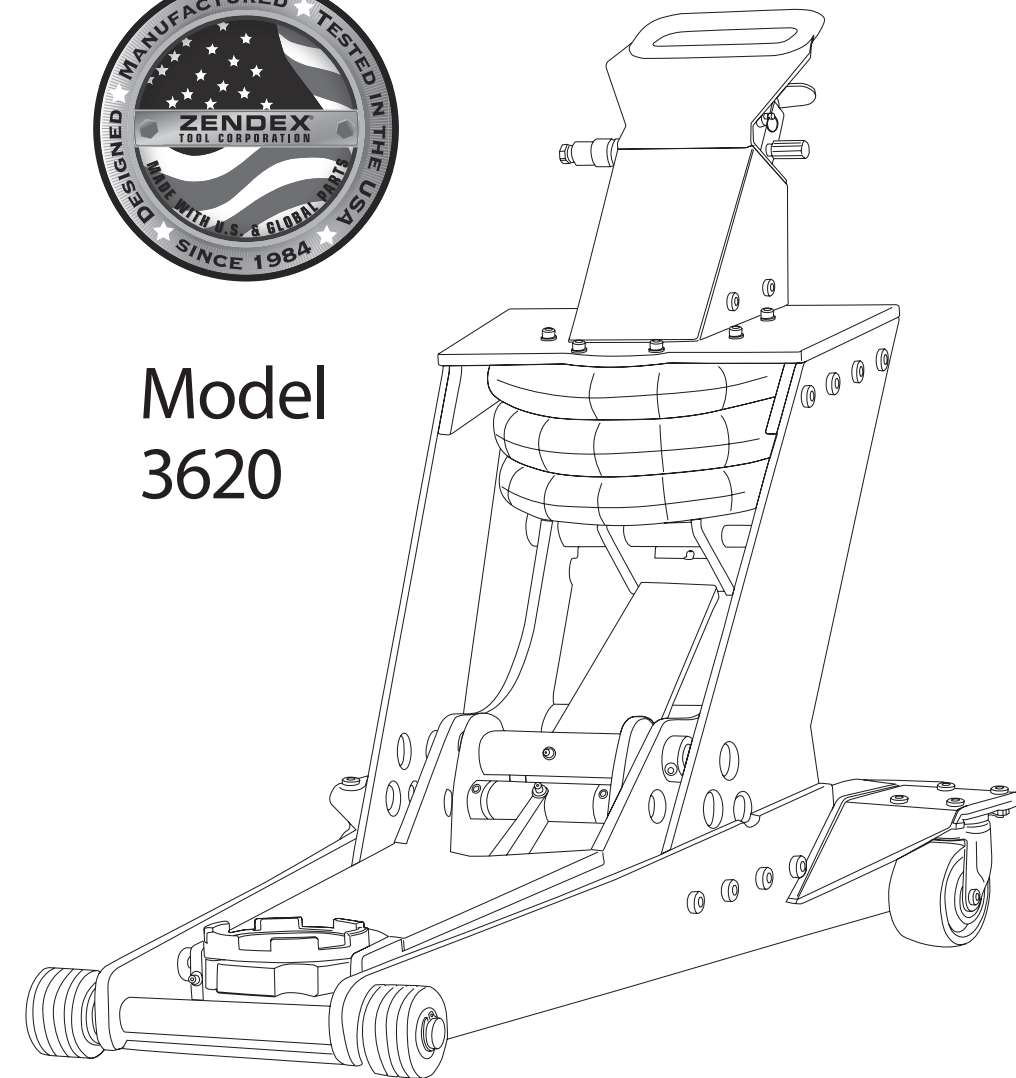


GOJAK®
air™
USAMADE JACKS... THAT LAST

Operating/Warnings
& Instructions Manual



Model
3620



800.446.5257 4 Larson Drive Danbury, CT. 06810
zendextool.com | gojak.com



800.446.5257 4 Larson Drive Danbury, CT. 06810
zendextool.com | gojak.com



800.446.5257 4 Larson Drive Danbury, CT. 06810
zendextool.com | gojak.com



2017 Zendex Tool Corp. All Rights Reserved. GoJak and GoJak The Faster Caster System are registered Trademarks of Zendex Tool Corp.

2017 Zendex Tool Corp. All Rights Reserved. GoJak and GoJak The Faster Caster System are registered Trademarks of Zendex Tool Corp.

2017 Zendex Tool Corp. All Rights Reserved. GoJak and GoJak The Faster Caster System are registered Trademarks of Zendex Tool Corp.

Operating Instructions for Model 3620

Before operating this product, read and fully understand all instructions. Anyone using this product must be familiar with its operation including all warnings and potential hazards. Company owners/managers must be sure to instruct all operators of this product in their native language. This product may require special skills to operate and/or repair and it is the responsibility of the owner of this product that this is fully understood and complied with. Jack safety is everyone's responsibility and these operating instructions must be retained and made available upon request to anyone using this product.

Inspect jack carefully prior to each use. Check Air Spring (Rubber Bag) for any forms of wear, abrasions, tears or rot. This can be done easily by inflating slowly to full stroke position. **WARNING:** Never fully pressurize air bag without a load on jack. Fully pressurizing bag with no load places enormous stress on the jack which should be avoided. Check frame of jack for any cracked welds, bent or missing parts, check air line at lower rear of handle for wear or any other form of damage. If signs of damage are evident, the jack must be removed from service immediately. Contact Zendex Tool at 1-800-446-5257 for further instructions.

It is highly recommended to operate the jack a number of times WITHOUT LIFTING A VEHICLE to get the feel of the air control valves operating sensitivity. This will be time well spent.

Insert a suitable nipple in the ¼ NPT threads on the right side of the control valve. To raise jack SQUEEZE the green up arrow slowly. NEVER PUSH THE LEVER ABRUPTLY AS JACK WILL RISE VERY QUICKLY WITHOUT A LOAD. Prior to lifting vehicle, place automatic cars in park, engage parking brake and chock wheels not being lifted. When approaching the vehicle's jack lifting point, make sure the jack pad (saddle) is centered directly under it. Raise jack slowly and make sure the pad remains centered on the lift point during the entire lift. Caution here is extremely important and may prevent possible injury as well as possible damage to jack or vehicle if load slips off.

NOTE: With air line disconnected the jack can be lowered by depressing either side of the control lever.

manufacturer.

Lift vehicles only from jack points recommended by the



WARNING

Indicates a potentially hazardous situation which, if not avoided could result in death or serious injury

MAXIMUM LOAD 3,600 LBS.

This jack comes with a certified Air Pressure relief valve. It is used to prevent over inflation of the Air Bag. If the air pressure exceeds it's set limit of 115 PSI the valve will release air. If that occurs the jack will automatically lower itself to stabilize air pressure. NOTE: Over pressurizing the bag will cause damage to the jack and the bag.

DO NOT remove or tamper with this valve without a written consent of Zendex Tool Corp. Removal or Tampering with this valve is very dangerous and will void the warranty immediately.

- READ and FOLLOW all instructions before operating this device
- Do Not Exceed Rated Capacity
- Do Not Over Inflate maximum air pressure of (115 psi)
- **LIFTING device only. Immediately after lifting, support the vehicle with appropriate means. NOT FOR USE AS A DOLLY**

- Use only on hard level surface
- Lift only on areas of the vehicle as specified by the vehicle manufacturer

- Only attachments and/or adapters supplied by the manufacturer shall be used
- Wear Safety Goggles
- Avoid sharp objects near bag. Bag penetration may result in jack dropping without warning, which may result in injury or property damage

- Failure to heed these markings may result in personal injury, property damage and Void Warranty
- Return Authorization Required: Call 800-466-5257

PROPER SEQUENCE OF OPERATION

TO RAISE: Slowly squeeze air control up side lever to desired height.

WARNING: DO NOT ATTEMPT TO USE ANY OTHER JACK PADS OR ADAPTORS WITH YOUR GOJAK® AIR™ OTHER THAN THE ONES SUPPLIED BY ZENDEX TOOL.

WARNING: Make sure vehicle and jack is on a hard level surface. Place automatic transmission vehicles in park and always apply emergency brake on all models. To prevent vehicle from rolling during jacking, chock vehicle wheels not to be lifted.

WARNING: Only raise vehicle at points recommended by vehicle manufacturer.

NOTE: With air line disconnected the jack can be lowered by depressing either side of the control lever.

WARNING: DO NOT ATTEMPT TO USE THIS JACK AS A

DOLLY. This practice is extremely dangerous and may result in severe injury, property damage and damage to the jack. THIS IS THE FASTEST WAY TO VOID THE WARRANTY. WE DO NOT WARRANT BENT FRAMES OR HANDLES.

WARNING: AS VEHICLE IS LIFTED IT WILL ARC AWAY FROM YOU. THIS MOVEMENT IS COMPENSATED BY THE JACK MOVING FORWARD ON ITS WHEELS. MAKE SURE THERE IS NO DEBRIS IN THE PATH OF THE WHEELS SUCH AS BUT NOT LIMITED TO AIR LINES, NUTS, BOLTS, TOOLS, ETC. ANY OBSTACLES PREVENTING WHEELS FROM ROLLING FREELY MAY CAUSE LOAD TO SLIP OFF JACK WHICH MAY RESULT IN PROPERTY DAMAGE OR SERIOUS INJURY.

WARNING: NEVER CRAWL UNDER VEHICLE WITHOUT APPROPRIATE JACK STANDS IN PLACE.

WARNING: DO NOT MODIFY THIS PRODUCT IN ANYWAY. DOING SO MAY BE UNSAFE AND WILL VOID WARRANTY.

WARNING: DO NOT NEGLECT THE LUBRICATION

INSTRUCTIONS OUTLINED IN THIS MANUAL. WITHOUT PROPER LUBRICATION, THE JACK WILL NOT PERFORM CORRECTLY AND WILL DRAMATICALLY SHORTEN THE USEFUL LIFE OF THE PRODUCT. LACK OF LUBRICATION MAY VOID WARRANTY.