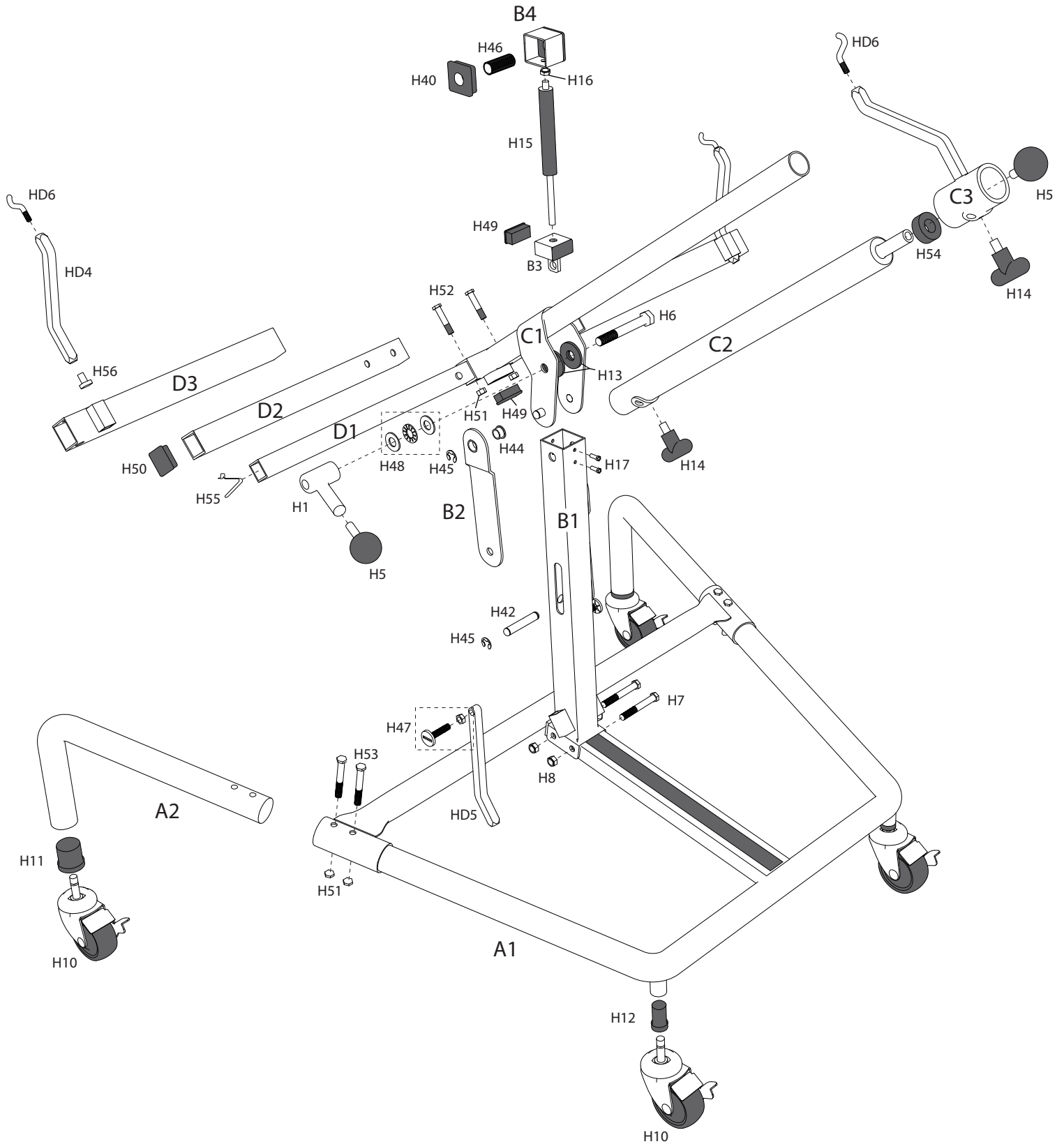


HT10 Panel Thing - Parts Guide



Part Number	HT10 Hardware Parts Description	Qty.
H1	Clamping Knob	1
H5	Ball Handle	3
H6	Pivot Bolt 1/2 X 3-3/4	1
H7	Hex Bolt 3/8 X 2-3/4	2
H8	Nyloc Nut 3/8 -16	2
H10	Brake Caster 3" dia., Grip Ring Stem	4
H11	Caster Socket large (non threaded stem)	2
H12	Caster socket small (non threaded stem)	2
H13	Friction washers	2
H15	GAS SPRING	
H16	Nyloc Nut M6-1.0	
H17	Tex screw	
H40	Pivot Bearing Carrier	
H42	Long Clevis Pin	

Part Number	HT10 Hardware Parts Description	Qty.
H44	Bronze bushing 7/16 ID	
H45	E-Clip, Top and Bottom	
H46	Pivot Bearing, Bronze	
H47	Tailgate bolt w/ Lock Nut	
H48	Thrust bearing w/ 2 washers	
H49	Rectangle End Plug	
H50	1-1/4 Square End Plug	
H51	Nyloc Nut 5/16-18	
H52	Hex Bolt 5/16 X 1-3/4	
H53	Hex Bolt 5/16 X 2-1/4	
H54	Round Plug	
H55	Button	
H56	Square Head Bolt	
HD4	Parts Adapter Arm	
HD5	Tailgate Adapter Arm	
HD6	Hook	