

TUXEDO

TP9KAC-TUX

Two-Post Clear Floor Lift

(Asymmetric)

9,000 lbs. Capacity

(2,250 lbs. Max per Arm)



INSTALLATION & OPERATION MANUAL

Mar 2019

IMPORTANT NOTES

READ THE INSTALLATION AND OPERATION MANUAL IN ITS ENTIRETY BEFORE ATTEMPTING TO INSTALL THE LIFT.

- Do not install this lift on any surface other than concrete, conforming to minimum specifications.
- Do not install this lift over expansion joints or cracks. Check with building architect.
- Do not install this lift on a second floor with a basement beneath without written authorization from building architect.
- Do not install this lift outdoors unless special consideration has been made to protect the power unit from inclement weather conditions.
- A level floor is recommended for proper installation and operation. Concrete should be a minimum of 4-1/4+thickness and 3,000 psi tensile strength with steel or fiber mesh reinforcement.
- The lift is intended to raise the entire body of the vehicle. Do not attempt to lift only part of the vehicle. Improper use of this equipment could result in damage to the lift, yourself or other property.
- The lift is intended to lift vehicles only. It is not designed to lift any person or equipment containing persons.
- Users of this equipment should be qualified, responsible and should follow the operation and safety guidelines set forth in this manual.
- For specifications on concrete pads, please call for technical assistance.
- Improper installation can cause damage or injury. The Manufacturer will NOT assume liability for loss or damage of any kind, expressed or implied, resulting from improper installation or use of this product.

DEFINITION

Surface Mounted, Two-Post, Clear-Floor Lift w/ Overhead Beam, Hydraulic Chain-overqDrive, 9,000 lbs. Capacity.

The name / model numbers are designated below:

- ***Model number TP9KAC-TUX - Asymmetric Swing Arm configuration***

BASIC SPECIFICATIONS

Model	Description (Clear Floor)	Capacity	Lifting Time	Overall Height	Overall Width	Lifting Height	Between Columns
TP9KAC-TUX	Asymmetric	9,000 lbs.	50 Sec	142-11/16+	141+	72+	110-7/16+

PREPARATION

The installation of this lift is relatively simple and can be accomplished by 2 men in a few hours. The following tools and equipment are needed:

- 12 quarts of Non-Detergent / Non-Foaming Hydraulic Oil - SAE-10, AW 32 or equivalent
- Chalk line and 12qTape Measure
- 4ft. Level
- Rotary Hammer Drill with 3/4+Masonry Drill Bit. (Core Drill Rebar Cutter also recommended)
- Hammer and Hex Key Wrench Set
- Metric Sockets and Open Wrench set - 13mm-30mm
- Medium Adjustable Wrench and Medium Pipe Wrench
- Crow Bar for Shim Installation and Medium Flat Screwdriver
- Locking, Needle Nose and Snap Ring Pliers

GENERAL INFORMATION

1. Carefully remove the crating and packing materials.

CAUTION! Be careful when cutting steel banding material as items may become loose and fall causing personal harm or injury.

2. Identify the components and check for damage or shortages.

Please contact your distributor immediately, if any damages or shortages are discovered.

Packing:

- The lift assembly is packaged into two columns as one piece, as shown in **(Fig.1)**.
- Every column comes with its cylinder, carriage, cables & chains, lifting arms, lifting pads, column upright extensions, height extensions, hoses and 2 pc overhead beam with the hardware box located in one of the columns.
- The electric-hydraulic motor pump is packaged separately and banded to top of lift.



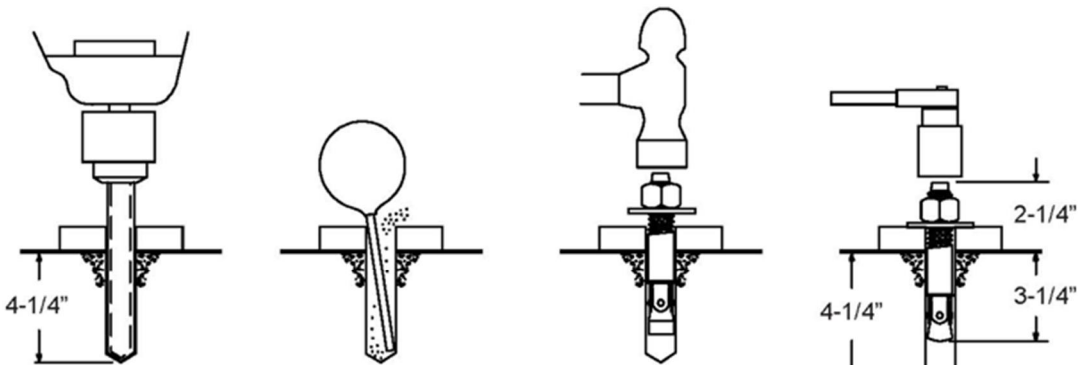
Fig. 1

FOUNDATION and ANCHORING REQUIREMENTS

1. Concrete shall have compression strength of at least 3,000 PSI and a minimum thickness of 4-1/4" in order to achieve a minimum anchor embedment of 3-1/4". **NOTE:** When using the standard supplied 3/4" x 5-1/2" long anchors, if the top of the anchor exceeds 2-1/4" above the floor grade, you **DO NOT** have enough embedment.
2. Maintain a 6" minimum distance from any slab edge or seam. Hole to hole spacing should be a minimum 6-1/2" in any direction. Hole depth should be a minimum of 4-1/4".
3. **DO NOT** install on asphalt or other similar unstable surface. Columns are supported only by anchoring to floor.
4. Using the horseshoe shims provided, shim each column base as required until each column is plumb. If one column has to be elevated to match the plane of the other column, full size base shim plates should be used. Torque anchors to 130 ft-lbs. Shim thickness **MUST NOT** exceed 1/2" when using the 5-1/2" long anchors provided with the lift.
5. If anchors do not tighten to 130 ft-lbs. installation torque, replace the concrete under each column base with a 4' x 4' x 6" thick 3,000 PSI minimum concrete pad keyed under and flush with the top of existing floor. Allow concrete to cure before installing lifts and anchors (typically 2 to 3 weeks).

ANCHORING TIPS

1. Use a concrete hammer drill with a carbide tip, solid drill bit the same diameter as the anchor, 3/4" - (.775 to .787 inches diameter). Do not use excessively worn bits or bits which have been incorrectly sharpened.
2. Keep the drill in a perpendicular line while drilling.
3. Let the drill do the work. Do not apply excessive pressure. Lift the drill up and down occasionally to remove residue to reduce binding.
4. Drill the hole to depth of 2" deeper than the length of anchor. **NOTE:** Drilling thru concrete (recommended) will allow the anchor to be driven thru the bottom of foundation if the threads are damaged or if the lift will need to be relocated.
5. For better holding power blow dust from the hole.
6. Place a flat washer and hex nut over threaded end of anchor, leaving the nut almost flush with the top of the anchor bolt. **Do not damage threads.** Tap anchor into the concrete until nut and flat washer are against base plate. **Do not use an impact wrench to tighten!** Tighten the nut, two or three turns on average after the concrete has cured (28-day cure). If the concrete is very hard only one or two turns may be required.



Drill holes using 3/4" carbide tipped masonry drill bit per ANSI standard B94.12.1977

Clean hole.

Run nut down just below impact section of bolt. Drive anchor into hole until nut and washer contact base.

Tighten nut with Torque wrench to 130 ft.-lbs.

INSTALLATION INSTRUCTIONS

STEP 1: (Selecting Site) Before installing your new lift, check the following:

1. **LIFT LOCATION:** Always use architects plans when available. Check layout dimension against floor plan requirements making sure that adequate space is available (**Figs. 2, 3 & 4**).

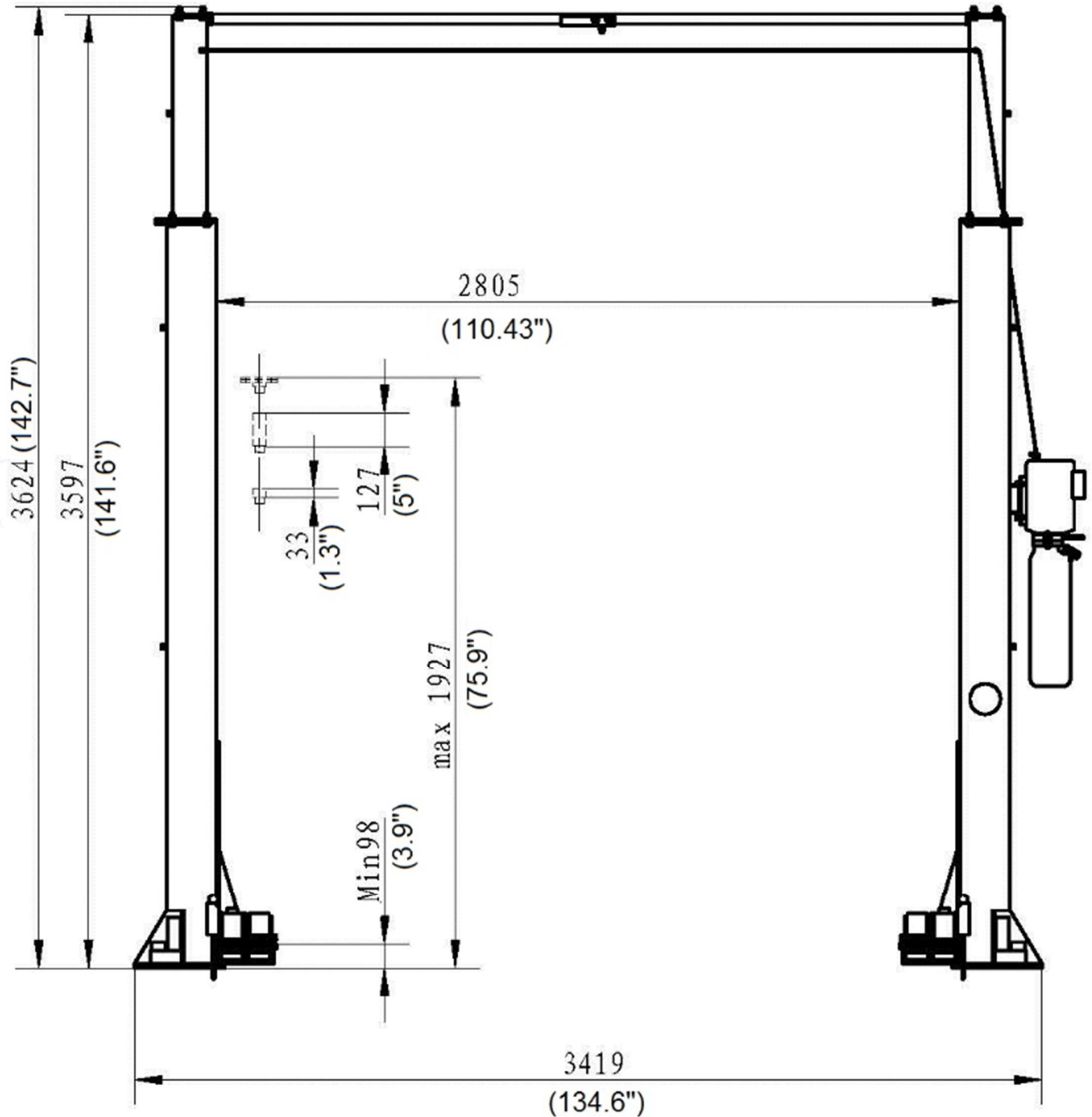


Fig. 2
(Elevation Layout)

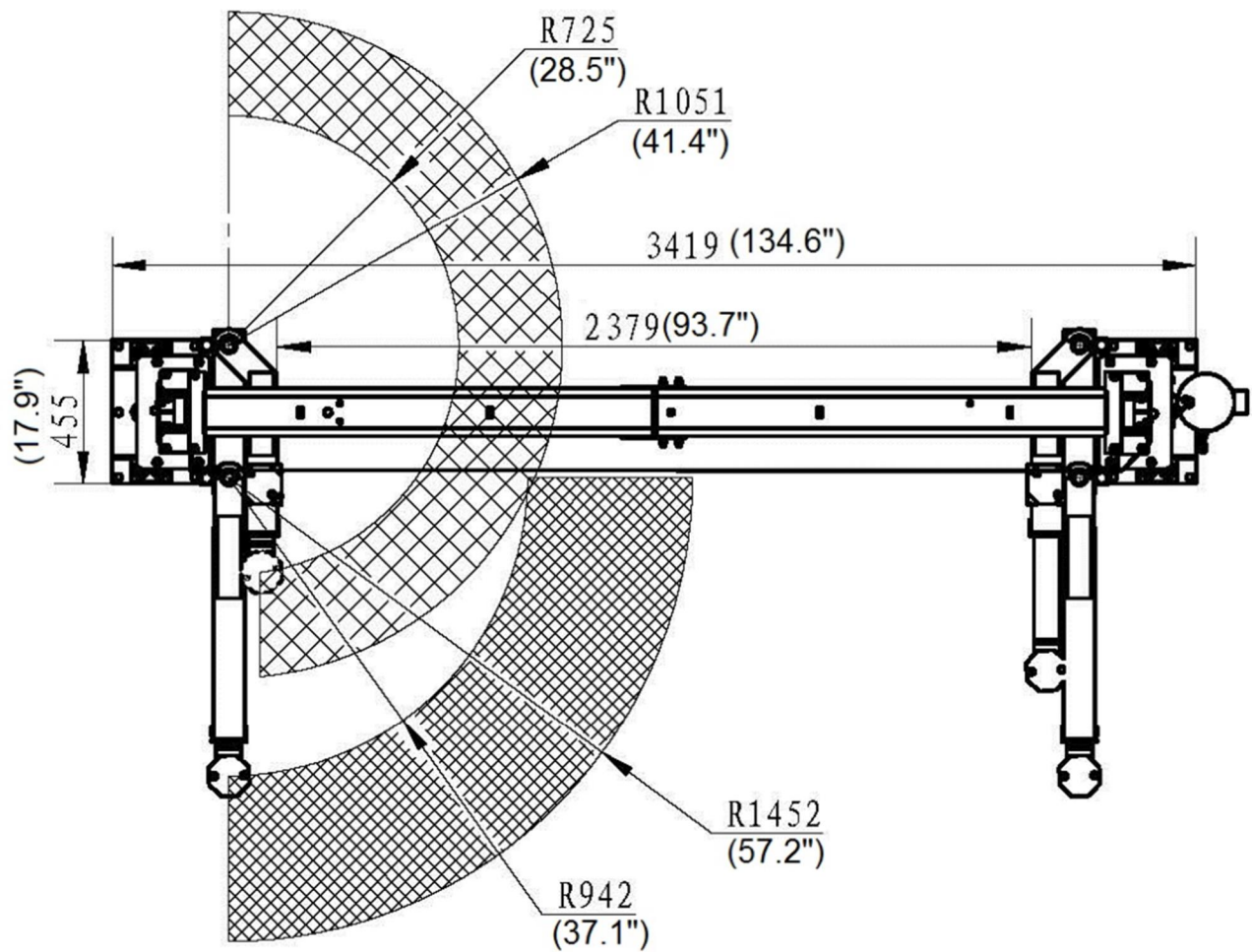


Fig. 3
(Swing Arm & Column Layout)

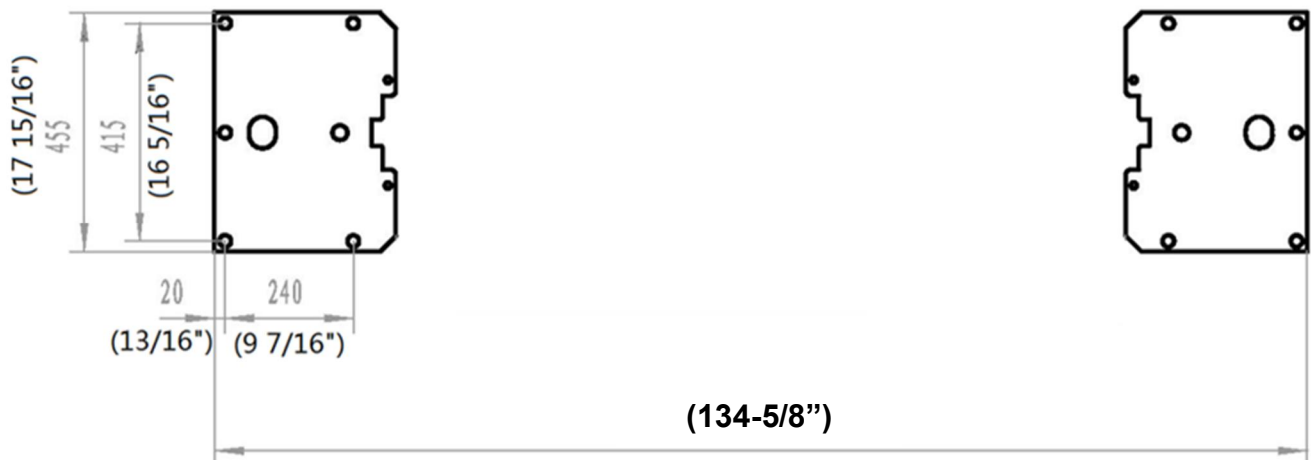


Fig. 4
(Column / Floor Layout)

2. OVERHEAD OBSTRUCTIONS: The area where the lift is located should be free of overhead obstructions such as heaters, building supports, electrical lines, etc. **(Fig 2.)**

3. **DEFECTIVE CONCRETE:** Visually inspect the site where the lifts will be installed and check for cracked or defective concrete. **(Details on Page 4)**
4. **FLOOR REQUIREMENTS:** The lift should be installed on a 3000 PSI concrete with minimum of 4-1/4+ thickness. The Floor should be level with-in gradients of $\leq 1/4+$ within area of the two columns = 135+x 18+).

(See Details for Foundation Anchoring Requirements & Anchoring Tips on Page 4)

STEP 2: (Unloading & Unpacking)

1. After unloading the lift, place it near the intended installation location.
2. Remove the shipping bands and packing materials from the unit.
3. Remove the packing brackets and bolts holding the two columns together. (Do not discard bolts, they may be used in the assembly of the lift)
4. Take out the column upright extensions, lifting arms, lifting pads, height extensions, hardware box, hoses, etc., from the column. Check the quantity of each item with the parts list. If anything is missing, please contact your dealer at once.

STEP 3: (Site Layout)

1. Determine which side will be the approach side.
2. Now determine which side you prefer the power unit to be located on. The MAIN column has the power-unit mounting bracket attached to the side, as shown in **(Fig. 5)**.

Note: the power unit column can be located on either side. It is helpful to try and locate the power side on the driver side of the vehicle when loaded on the lift, in order to save steps during operation.

3. Once a location is determined, use a carpenter's chalk line to layout a grid for the columns locations. **(See Fig. 4)**

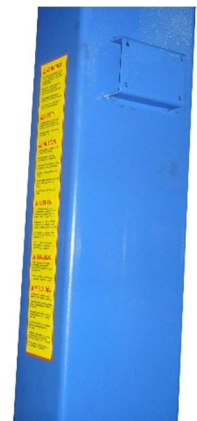


Fig. 5

4. After the column locations are marked, use a chalk or crayon to make an outline of the columns on the floor at each location using the column's base plates as a template guide.
5. Double check all dimensions and make sure that the layout is perfectly square.

STEP 4: (Installing MAIN COLUMN w/ Power Unit Bracket)

1. Before proceeding, double check measurements and make certain that the bases of each column are square and aligned with the chalk line.
2. Assemble the uprights to the columns. Raise the columns to a vertical position. **(See Fig. 6)**



Fig. 6

3. Using the base plate on the MAIN column as a guide, drill each anchor hole into concrete using a rotary hammer drill and $3/4$ +concrete drill-bit. To assure full holding power, do not ream the hole or allow the drill to wobble. **(See Anchoring Details on Page 4)**
4. After drilling, remove dust thoroughly from each hole using compressed air and/or wire brush. Make certain that the column remains aligned with the chalk line during this process.
5. Assemble the washers and nuts on the anchors then tap into each hole with a block of wood or rubber hammer until the washer rests against the base plate. Be sure that if shimming is required that enough threads are left exposed.
6. Using a level, check column plumb for every side **(Fig. 7)**. If shimming is required, use supplied Shim stock or $3/4$ +washers, placing shims as close as possible to the hole locations. This will prevent bending column bases.
7. With the shims and anchor bolts in place, tighten by securing the nut to the base then turning 2-3 full turns clockwise. Ensure anchor bolts are tightened to a minimum of 130 ft-lbs. of torque. DO NOT use an impact wrench for this procedure!!



Fig. 7

STEP 5: (Installing OFFSIDE COLUMN & OVERHEAD BEAM ASSEMBLY)

NOTE: Install Overhead Beam assembly to top of columns BEFORE drilling anchors for Offside column. This is to ensure that the Offside column can be properly positioned to be plumb and level.

1. Raise OFFSIDE column and position at the designated chalk locations, ensuring the Column Upright Extension is pre-installed to the top of the OFFSIDE column.
2. Using bolts provided, construct the 2 piece Overhead Beam into a one (Fig. 8).
3. Using a lifting device, raise the Overhead Beam and position on top of the column. Bolt it to the columns using the bolts, nuts and washers (Fig. 9)



Fig. 8

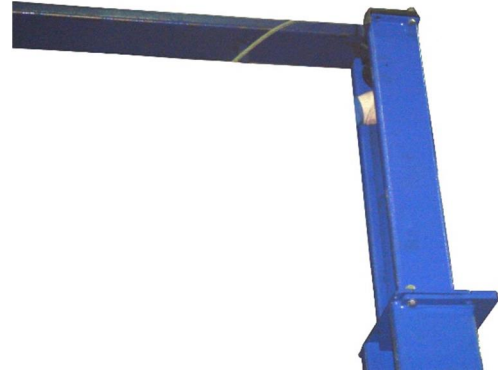


Fig. 9

4. Use a tape measure to measure the diagonal distance between the opposite corners of the base plates on the columns. Equal values will ensure the lifting arms will be in square.
5. Secure OFFSIDE column to the floor following the same procedures as outlined in **STEP 4**.

STEP 6: (Installing POWER UNIT)

1. Attach the power unit to the mount bracket on the side of the Main Column using bolts, nuts and washers supplied. (Fig. 10)
2. Remove the vent plug from the power unit and fill the reservoir with hydraulic oil. Make sure the funnel used to fill the power unit is clean.

Suggestion: Use Non-Detergent / Non-Foaming Hydraulic Oil - SAE-10, AW 32 or equivalent. The unit holds approximately ten quarts of fluid.



Fig. 10

STEP 7: (Installing / Routing EQUALIZER CABLES)

1. Raise and lock each carriage on the first safety latch engagement, approximately 30+ high.
2. Make sure that the safety locks on each column are fully engaged before attempting to route equalizer cables.
3. Be sure each carriage is at the same height by measuring from the top of the base to the bottom of the carriage. This difference should be within 1/4+.
4. Route the first cable. (See Figs 11 & 12)
Screw the nut on the cable stud so that half thread pass through the nut. Pull the other end of the cable and screw the nut on it also.

Then tighten both nuts.



Fig. 11

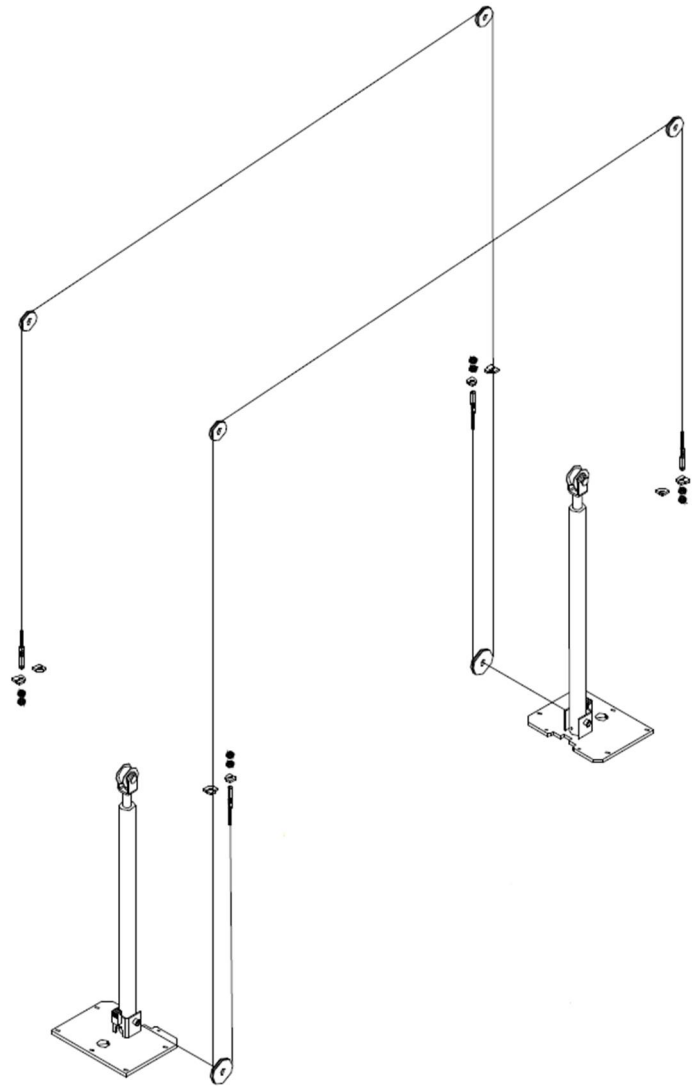


Fig. 12 (Cable Route Diagram)

5. Repeat above for the second cable on opposite side carriage.
6. Adjust each equalizer cable to approximately 1/2+side-to-side play. Ensure that each cable has equal tension. Also, check the carriage height to ensure both carriages are sitting on the same latch.

STEP 8: (Installing / Routing HYDRAULIC HOSES & HYDRAULIC FITTINGS)

1. Install & connect the hydraulic hoses and fittings, as noted below and detailed in the Exploded View #1 diagram on page 20. **Note: Ensure Not To Overtighten Hydraulic & Hose Fittings!!**
 - a) Remove red cap plug from high pressure port on side of power unit's valve block.
 - b) Install & secure hydraulic straight fitting (w/ O-ring) into the power unit's high pressure port.
 - c) Install hydraulic T-fitting to the straight fitting. Tighten to secure.
 - d) Install short hydraulic hose (w/ curved end) to the end of T-fitting. Secure other hose end to the 90 degree fitting at the base of column. Tighten to secure.
 - e) Install long hydraulic hose to top of T-fitting. Route long hose up & across the overhead beam through guide rings, then down to 90° fitting at base of opposite column. Tighten to secure.

STEP 9: (Installing Swing Arms & Arm Restraints)

1. Install the swing arms on the carriages using the included 1-1/2" swing arm pins.

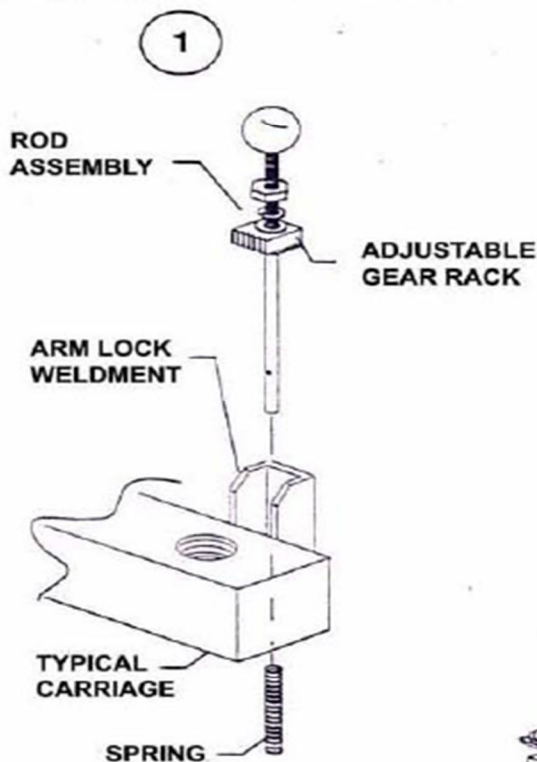
Note: (Asymmetric Lifts – the short, asymmetric swing arms are designed for front vehicle placement, with the long, asymmetric arms for rear vehicle placement.



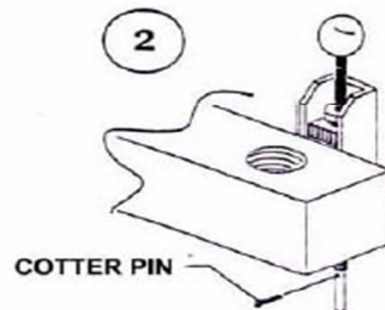
2. Install arm restraint mechanisms to each swing arm, as shown below in (Fig. 13).
3. Check for proper engagement for the arm restraints as the gear rack should fully engage the gear on the arm.

Arm Restraint Assembly & Adjustment

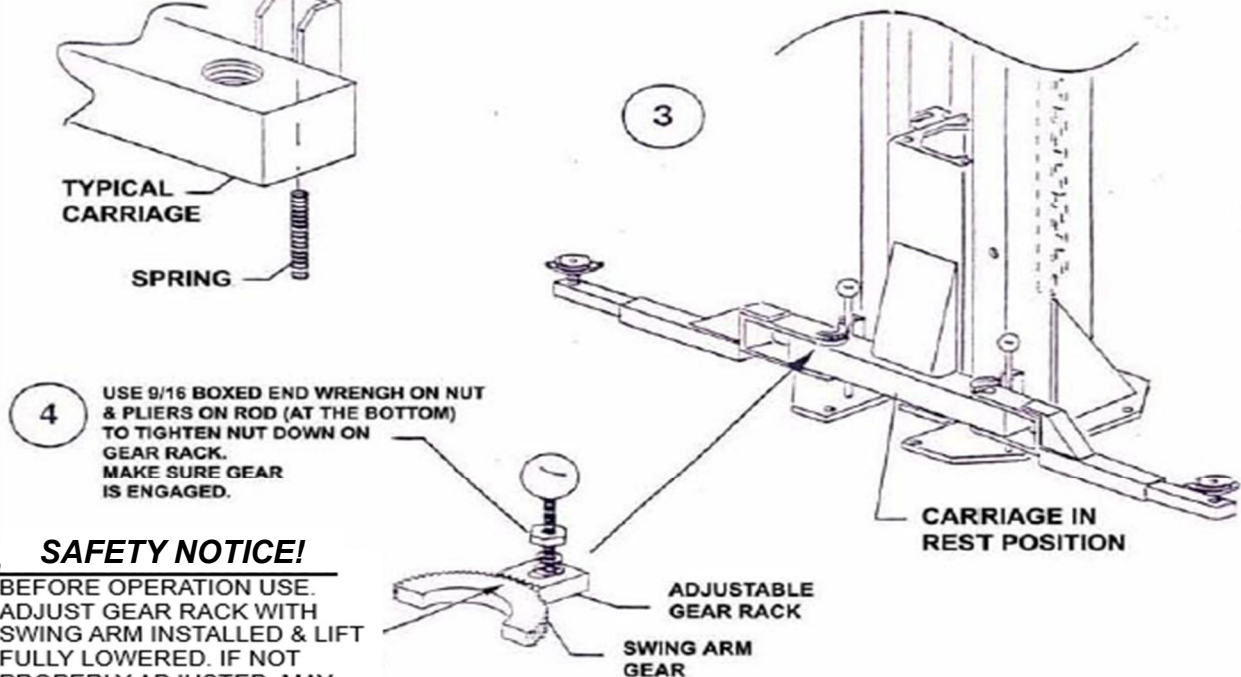
INSTALL ROD ASSEMBLY AS SHOWN



INSTALL COTTER PIN AS SHOWN TO ENSURE SPRING STAYS IN PLACE.



ADJUST ROD HEIGHT WHEN CARRIAGE IS IN REST POSITION



4. USE 9/16 BOXED END WRENCH ON NUT & PLIERS ON ROD (AT THE BOTTOM) TO TIGHTEN NUT DOWN ON GEAR RACK. MAKE SURE GEAR IS ENGAGED.

SAFETY NOTICE!

BEFORE OPERATION USE. ADJUST GEAR RACK WITH SWING ARM INSTALLED & LIFT FULLY LOWERED. IF NOT PROPERLY ADJUSTED, MAY RESULT IN SERIOUS DAMAGE OR INJURY.

Fig. 13

STEP 10: (Electrical Connection to POWER UNIT & OVERHEAD LIMIT SWITCH)

1. Have a certified electrician make the electrical connection to the power unit. Use a separate circuit for each power unit, as shown below in (Fig. 14).

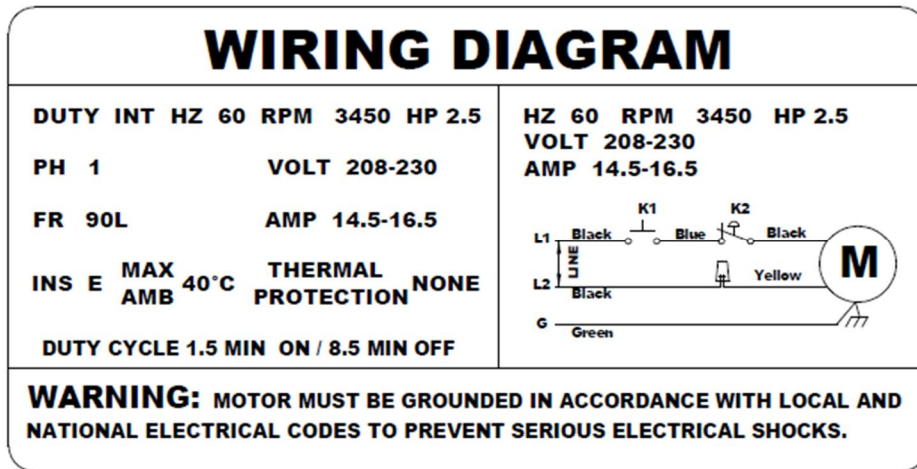


Fig. 14

IMPORTANT! The wiring must comply with local code. Protect each circuit with time delay fuse or circuit breaker. For 208V-230V single phase, use 20 amp fuse.

WARNING!! Never operate the motor in line voltage less than 208VAC as motor damage may occur.

2. Secure one end of the overhead shut-off limit wire to the eye bolt located on the offside column upright, secure with wire clamp. Then, carefully route the loose end thru the eye bolt on mainside column upright and down to the overhead limit switch plunger mechanism, located on top of power unit's switch box, as shown below (Fig. 14b).
3. Adjust the limit wire tension so it does not pull up on the kill switch plunger. Secure with wire clamp.

WARNING!! Failure to properly connect the overhead 'shut-off' limit wire to the power unit's kill switch mechanism could result in vehicle damage, lift damage or personal injury.

Connect Overhead Limit Wire to Kill Switch Plunger Mechanism.

NOTE:
(Ensure not to adjust Limit Wire too tight. If so, power unit will not operate correctly.)



Fig. 14b

STEP 11: (Checking Operation)

See next page for detailed Operation Instructions:

1. Do not place any vehicle on the lift at this time. Cycle the lift up and down several times to ensure carriage latches click together and all air is removed from the hydraulic system.
2. To lower the lift, both carriage's safety latch releases must be manually pulled down to be released to lower lift (**Fig.15**). The latches will automatically reset once the lift ascends approximately 17+from base.
3. If latches click out of sync, tighten the equalization cable on the one that clicks first.



Fig. 15

THE LIFT IS NOW READY FOR USE.

IMPORTANT!

Read Safety & Operating Information on following pages before using lift.

OPERATION INSTRUCTIONS

RAISE LIFT

1. Read operating and safety manuals before using lift.
2. Always lift a vehicle according to the manufacturers recommended lifting points
3. Position vehicle between columns, as equally as possible.
4. Adjust swing arms so that the vehicle is positioned with the center of gravity midway between pads.
5. Use truck adapters as needed. Never exceed 9+of pad height.
6. Raise the lift by pressing button on power unit until support pads contact the underside of the vehicle and re-check to make sure vehicle is secure.
7. Raise vehicle to desired working height. The latch mechanism will ~~trip over~~when the lift raises and drop into each latch stop.
8. Press lowering ~~released~~lever on Power Unit to lower lift onto latches, to lock the lift in the proper safety position.

Note: Always lock the lift before going under the vehicle. Never allow anyone to go under the lift when raising or lowering. Read the safety procedures in the manual.

LOWER LIFT

1. Ensure tools, trays, stands and/or personnel are removed from under vehicle.
2. Slightly raise lift until the safety latches clear column locks.
3. Pull latch release cables on both sides.

WARNING: ALWAYS RELEASE BOTH SAFETY LATCHES ON EACH SIDE

4. Press the release lever on the power unit to lower the lift.
5. Before removing vehicle from lift area, position lift arms and supports to provide an unobstructed exit.

WARNING: NEVER DRIVE OVER LIFT'S ARMS.

Note: It is normal for an empty lift to lower slowly, it may be necessary to add weight.

SAFETY PROCEDURES

- Never allow unauthorized persons to operate lift. Thoroughly train new employees in the operation and care of the lift.
- Caution: the power unit operates at high pressure.
- Remove passengers before raising vehicle.
- Prohibit unauthorized persons from being in shop area while lift is in use.
- Total lift capacity is 9,000 lbs. with 2,250 lbs. per arm pad. Never exceed the capacity.
- When approaching the lift with a vehicle, center the vehicle between the columns so that the tires will clear the swing arms easily. Slowly drive the vehicle up between the columns. Have someone outside the vehicle guide the driver.
- Always lift vehicle using all four arms. Never use lift to raise one end or one side of vehicle.
- Prior to lifting vehicle, walk around the lift and check for any objects that might interfere with the operation of lift and safety latches; tools, air hoses, shop equipment.
- Raise vehicles about 3+ and check stability by rocking.
- Prior to lowering vehicle, walk around the lift and check for any objects that might interfere with the operation of lift and safety latches; tools, air hoses, shop equipment.
- After lowering lift, swing the arms out of the path and slowly drive the vehicle out. Have someone outside the vehicle guide the driver.

ALWAYS LOCK THE LIFT BEFORE GOING UNDER THE VEHICLE.

NEVER ALLOW ANYONE TO GO UNDER THE LIFT WHEN RAISING OR LOWERING.

OWNER / EMPLOYER RESPONSIBILITIES

- Shall establish procedures to periodically maintain, inspect and care for the lift in accordance with the manufacturer's recommended procedures to ensure its continued safe operations.
- Shall provide necessary lockout of energy sources per ANSIZ244.1 . 1982 before beginning any lift repairs.
- Shall not modify the lift in any manner without prior written consent of the manufacturer.

MAINTENANCE SCHEDULE

The following periodic maintenance is the suggested minimum requirements and minimum intervals; accumulated hours or monthly period, whichever comes sooner. If you hear a noise or see any indication of impending failure - **cease operation immediately** . inspect, correct and / or replace parts as required.

WARNING!! OSHA AND ANSI REQUIRE USERS TO INSPECT LIFTING EQUIPMENT AT THE START OF EVERY SHIFT. THESE AND OTHER PERIODIC INSPECTIONS ARE THE RESPONSIBILITY OF THE USER.

DAILY PRE-OPERATION CHECK (8 HOURS)

The user should perform Daily check. Daily check of the safety latch system is very important to prevent expensive property damage, lost production time, serious personal injury and even death.

- Check safety lock audibly and visually while in operation
- Check safety latches for free movement and **full engagement with rack.**
- Check hydraulic connections, and hoses for leakage.
- Check cables connections for bends, cracks and proper tension.
- Check for frayed cables in both raised and lowered position.
- Check snap rings at all rollers and sheaves.
- Check and tighten anchors, bolts, nut, and screws.
- Check wiring & switches for damage.
- Keep base plate free of dirt, grease or any other corrosive substances.
- Check floor for stress cracks near anchor bolts.
- Check swing arm restraints.

WEEKLY MAINTENANCE (40 HOURS)

- Check anchor bolts torque to 130 ft-lbs. for the $\frac{3}{4}$ +anchor bolts. *Do not use impact wrench.*
- Check floor for stress cracks near anchor bolts.
- Check hydraulic oil level.
- Check and tighten bolts and nuts, and screws.
- Check cylinder for free movement.
- Check cable pulleys for free movement and excessive wear.

YEARLY MAINTENANCE

- Grease rub blocks and column surface contacting rub blocks
- Change the hydraulic fluid. Good maintenance procedure makes it mandatory to keep hydraulic fluid clean. No hard fast rules can be established; operating temperature, type of service, contamination levels, filtration, and chemical composition of fluid should be considered. If operating in a dusty environment, shorter interval may be required.

Only trained maintenance experts should perform lift service for the following items.

- Replace hydraulic hoses
- Replace chains and rollers.
- Replace cables and sheaves.
- Replace or rebuild air and hydraulic cylinders as required.
- Replace or rebuild pumps / motors as required.
- Check hydraulic and air cylinder rod and rod end (threads) for deformation or damage.
- Check cylinder mount for looseness and damage.

Relocating or changing components may cause problems. Each component in the system must be compatible; an undersized or restricted line will cause a drop in pressure. All valve, pump, and hose connections should be sealed and / or capped until just prior to use. Air hoses can be used to clean fittings and other components. However, the air supply must be filtered and dry to prevent contamination. Contamination is the most frequent cause of malfunction or hydraulic equipment.

TROUBLE SHOOTING

1. Motor does not run:

- A. Breaker or fuse blown
- B. Faulty wiring connections. Call electrician.
- C. Defective up button. Call electrician for checking.
- D. Defective Capacitor. Call electrician for checking.

2. Motor runs but will not raise:

- A. Oil level too low. Oil level should be just under the vent cap port when the lift is down!!!
- B. Check the clearance in the plunger valve of the lowering handle.
- C. Remove the check valve cover and clean ball and seat.
- D. A piece of trash is under check valve. Push handle down and push the up button at the same time. Hold for 10-15 seconds. This should flush the system.

3. Oil blows out breather of power unit:

- A. Oil reservoir overfilled.
- B. Lift lowered too quickly while under a heavy load.

4. Motor hums and will not run:

- A. Lift overloaded----remove excessive weight from lift.
- B. Bad capacitor-----call electrician.
- C. Low voltage-----call electrician.
- D. Faulty wiring-----call electrician.

5. Lift jerks going up and down:

- A. Air in hydraulic system----raise lift all the way to top and return to floor. Repeat 4-6 times with interval at least 2 min. Ensure NOT to overheat the power unit.

6. Oil leaks

- A. Power unit----if the power unit leaks hydraulic oil around the tank-mounting flange, check the oil level in the tank. The level should be two inches below the flange of the tank. Check with a screwdriver.
- B. Rod end of cylinder----the rod seal of the cylinder is defective. Rebuild or replace the cylinder.
- C. Breather end of the cylinder----the piston seal of the cylinder is defective. Rebuild or replace the cylinder.

7. Lift makes excessive noise.

- A. Carriage of the lift is dry and requires grease. Grease corners of columns.
- B. Cylinder pulley assembly or cable pulley assembly is not moving freely. Check and grease it.
- C. May have excessive wear on pins or cylinder yoke. Check and replace them.
- D. Seals are dry in hydraulic cylinder(s).

POWER UNIT PRIMING

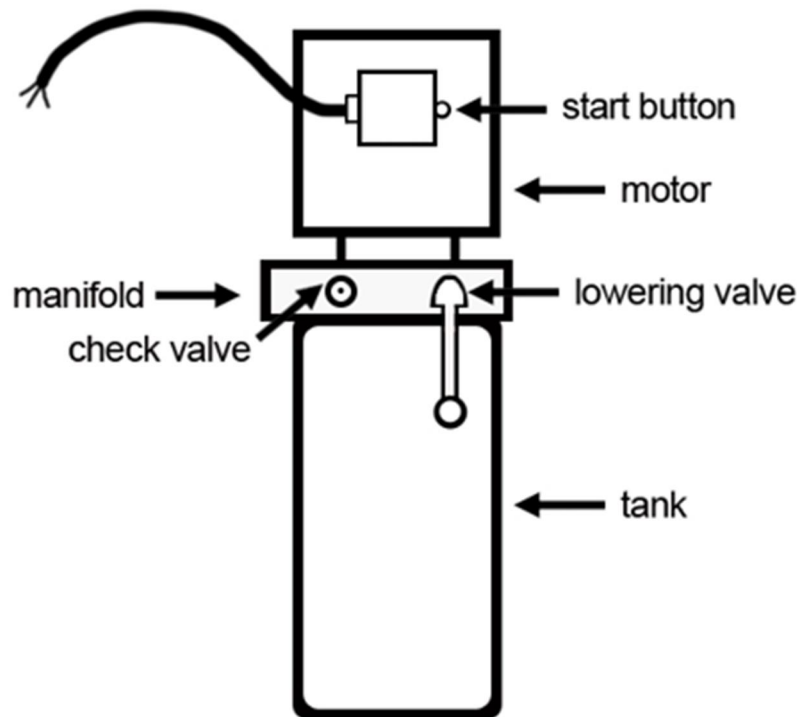
WARNING!! Failure to properly relieve pressure in the following steps can cause injury to personnel.

IMPORTANT

POWER UNIT PRIMING PROCEDURE

THE PROBLEM: Power unit runs fine but will not pump any fluid.

Step 1 – Locate the check valve. It's the flush plug to the left of the lowering valve.



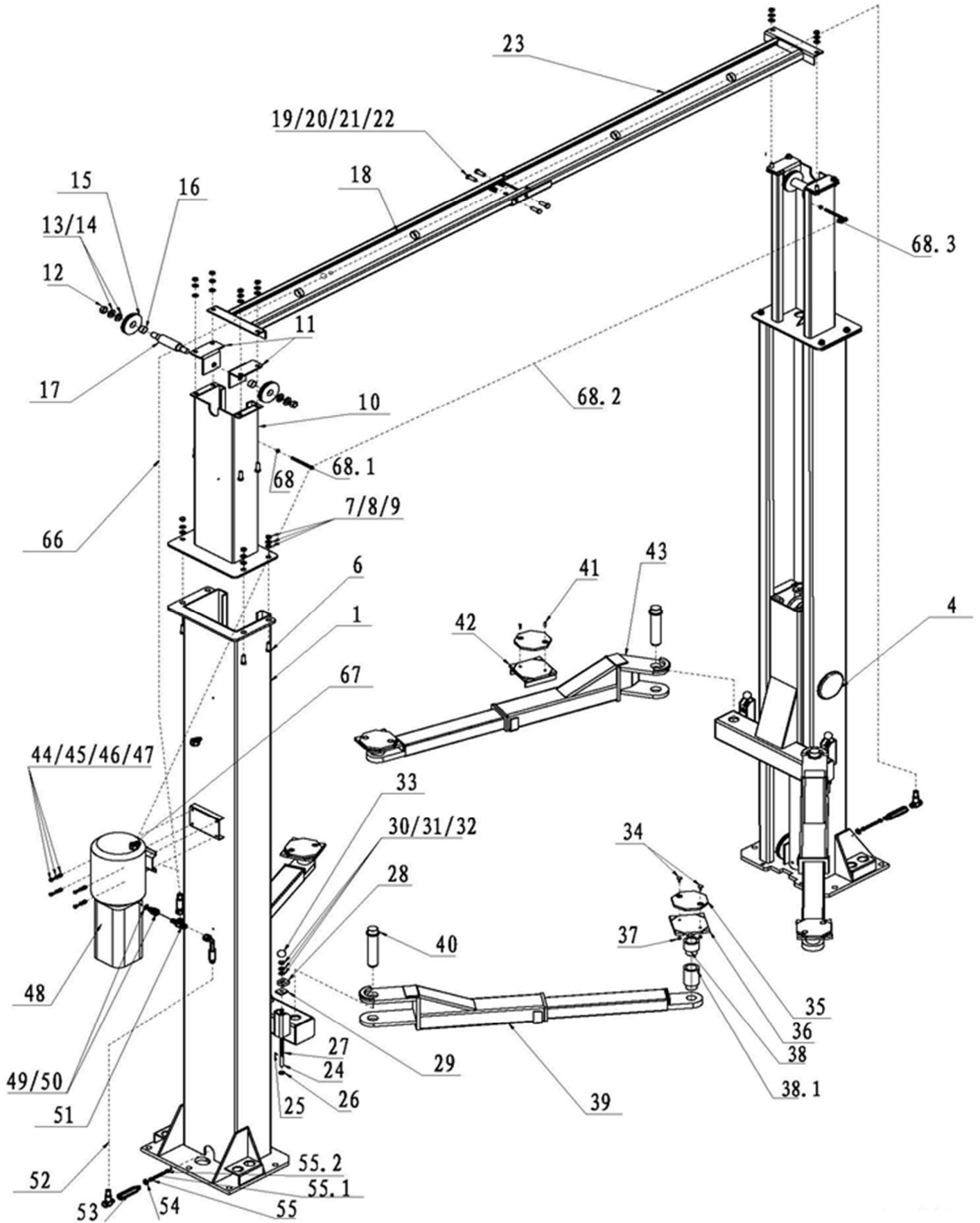
Step 2 – Using a Hex wrench and shop towel – with shop towel in place to catch fluid – loosen the check valve plug by approximately 2-½ turns and allow fluid to bleed off.

Step 3 – Push the START button for one second, then release for three seconds. Repeat these steps until unit starts pumping fluid.]

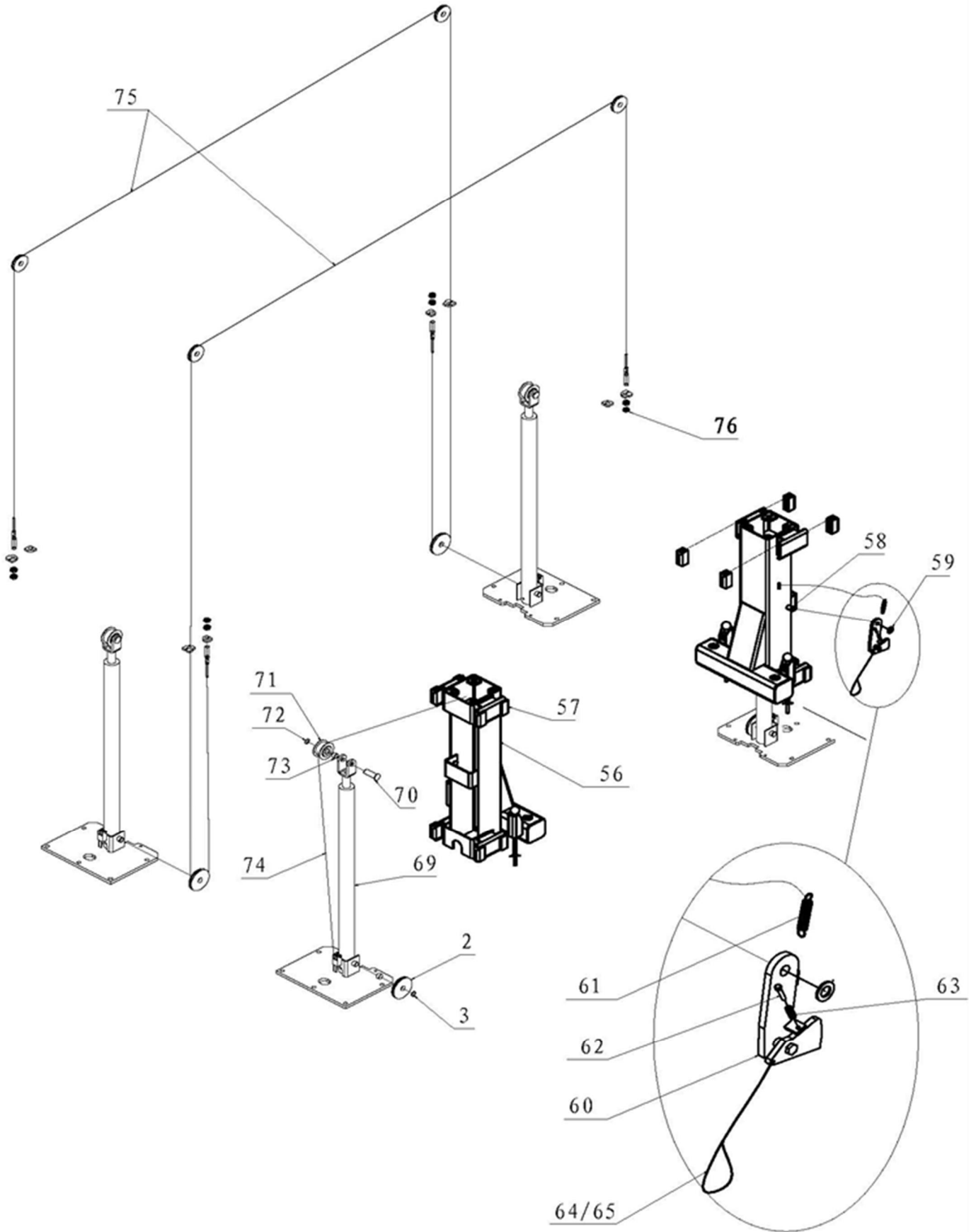
Step 4 – Tighten the check valve plug.

YOUR POWER UNIT SHOULD NOW BE PRIMED

EXPLODED VIEW #1



EXPLODED VIEW #2



PARTS LIST

ITEM	Tux P/N	M-Ref P/N	DESCRIPTION	QTY
1A	TP9KAC-TUX-001A	TPF4-100-00 (A)	Mainside Column	2
1B	TP9KAC-TUX-001B	TPF4-100-00 (B)	Offside Column	2
2	TP9KAC-TUX-002	TPF4-100-10-05	Cable Pulley, Column	2
3	TP9KAC-TUX-003	GB894.1-86	Circlips	2
4	TP9KAC-TUX-004	TPF4-100-12	Plastic Cover, Column	2
6	TP9KAC-TUX-006	GB5781-86	Bolt	16
7	TP9KAC-TUX-007	GB6170-86	Nut	16
8	TP9KAC-TUX-008	GB97.2-85	Flat Washer	16
9	TP9KAC-TUX-009	GB93-87	Spring Washer	16
10	TP9KAC-TUX-010	TPF4-700-02-00	Upright, Column Extension	2
11A	TP9KAC-TUX-011A	TPF4A-700-02-01 (A)	Top Bracket (LH)	2
11B	TP9KAC-TUX-011B	TPF4A-700-02-01 (B)	Top Bracket (RH)	2
12	TP9KAC-TUX-012	GB6170-86	Nut	4
13	TP9KAC-TUX-013	GB93-87	Spring Washer	4
14	TP9KAC-TUX-014	GB97.2-85	Flat Washer	4
15	TP9KAC-TUX-015	TPF4A-700-02-02	Cable Pulley, Upright	4
16	TP9KAC-TUX-016	SF-1-2510	Combined Bushing	6
17	TP9KAC-TUX-017	TPF4A-700-02-03	Spindle	2
18	TP9KAC-TUX-018	TPF4A-700-03-01-00	Overhead Beam (LH)	1
19	TP9KAC-TUX-019	GB5781-86	Bolt	4
20	TP9KAC-TUX-020	GB6170-86	Nut	4
21	TP9KAC-TUX-021	GB93-87	Spring Washer	4
22	TP9KAC-TUX-022	GB97.2-85	Flat Washer	4
23	TP9KAC-TUX-023	TPF4A-700-03-02-00	Overhead Beam (RH))	1
24	TP9KAC-TUX-024	TPF4-200-11-01	Rod, Arm Restraint	4
25	TP9KAC-TUX-025	GB91-86	Split Pin	4
26	TP9KAC-TUX-026	GB97.2-85	Flat Washer	4
27	TP9KAC-TUX-027	TPF4-200-11-02	Spring	4
28	TP9KAC-TUX-028	TPF4-200-11-04	Gear Bar, Arm Restraint	4
29	TP9KAC-TUX-029	TPF4-200-11-05	Plate, Arm Restraint	4
30	TP9KAC-TUX-030	GB6170-86	Nut	4
31	TP9KAC-TUX-031	GB97.2-85	Flat Washer	4
32	TP9KAC-TUX-032	GB93-87	Spring Washer	4
33	TP9KAC-TUX-033		Ball Handle	4
34	TP9KAC-TUX-034	TPF4-400-07	Screw	8
35	TP9KAC-TUX-035	TPF4-400-01A	Rubber Pad	6
36	TP9KAC-TUX-036	TPF4-400-02-00	Lift Pad Weldment	4
37	TP9KAC-TUX-037	GB6170-86	Nut	8
38	TP9KAC-TUX-038	TPF4-400-03	Low Adapter - 1.3"	4
38.1	TP9KAC-TUX-038.1	TPF4-400-03	High Adapter - 5"	4
39	TP9KAC-TUX-039	TPF4-400-05-00M	Rear / Long Asy, Arm	2

40	TP9KAC-TUX-040	TPF4-400-06-00	Swing Arm Pin	4
41	TP9KAC-TUX-041	GB819-85	Screw	4
42	TP9KAC-TUX-042	TPF4-400-04-00	Saddle Pad Weldment	2
43A	TP9KAC-TUX-043A	TPF4-400-05K-00M (A)	Front / Short Asy. Arm-PS	1
43B	TP9KAC-TUX-043B	TPF4-400-05K-00M (B)	Front / Short Asy. Arm-DS	1
44	TP9KAC-TUX-044	GB5781-86	Hex Bolt	4
45	TP9KAC-TUX-045	GB6170-86	Nut	4
46	TP9KAC-TUX-046	GB97.2-85	Flat Washer	4
47	TP9KAC-TUX-047	GB93-87	Spring Washer	4
48	TP9KAC-TUX-048	PU-2220V-L-H	220V Power Unit	1
49	TP9KAC-TUX-049	D14	O-Ring, Pump Fitting	1
50	TP9KAC-TUX-050	TT-6834-500-01(TLS)	Hyd. Pump Fitting	1
51	TP9KAC-TUX-051	TT-6931-500-04	Hyd. T-Fitting	1
52	TP9KAC-TUX-052	TT-6934-500-01NEW	Hyd. Hose, Short	1
53	TP9KAC-TUX-053	TT-6834-500-01	Hyd. Hex Pipe Fitting	2
54	TP9KAC-TUX-054	M14	Combined Washer	6
55	TP9KAC-TUX-055	TT-6934-500-06	Throttle Valve	2
55.1	TP9KAC-TUX-055.1	TT-6934-500-07	Valve Insert	2
55.2	TP9KAC-TUX-055.2	TT-6934-500-08	Valve Spring	2
56	TP9KAC-TUX-056	TPF4-200-01-00	Carriage	2
57	TP9KAC-TUX-057	DL38G-C109A	Sliding Rub Block	16
58	TP9KAC-TUX-058	GB91-86	Split Pin	2
59	TP9KAC-TUX-059	GB97.2-85	Flat Washer	2
60	TP9KAC-TUX-060	TPF4-300-00	Lock Latch	2
61	TP9KAC-TUX-061	TPF4-300-02	Pull Spring	2
62	TP9KAC-TUX-062	GB70-85	Inner Hex Screw	2
63	TP9KAC-TUX-063	TPF4-300-09	Spring	2
64	TP9KAC-TUX-064	TPF4-300-05-01	Pull Wire	2
65	TP9KAC-TUX-065	TPF4-300-05-02	Sleeve	4
66	TP9KAC-TUX-066	TT-6834-500-02	Hyd. Hose, Long	1
68	TP9KAC-TUX-068	GB6170-2000 M6	Nut	4
68.1	TP9KAC-TUX-068.1	TPF4A-700-01-05	Eye Bolt	2
68.2	TP9KAC-TUX-068.2		Overhead Kill Wire	1
68.3	TP9KAC-TUX-068.3	4KTH GB/T5976-1986	Wire Clamp	2
69	TP9KAC-TUX-069	TPF4-500-01	Cylinder	2
70	TP9KAC-TUX-070	TPF4-100-14-02	Pin	2
71	TP9KAC-TUX-071	TPF4-100-14-01	Chain Roller	2
72	TP9KAC-TUX-072	GB894.1-86	Circlip	2
73	TP9KAC-TUX-073	DU-SF-1	Bearing	4
74	TP9KAC-TUX-074	TPF4-800	Chain	2
75	TP9KAC-TUX-075	TPF4-900	Steel Cable	2
76	TP9KAC-TUX-076	GB6170-2000	Nut, M16	8

LIMITED WARRANTY

Structural Warranty:

The following parts and structural components carry a five year warranty:

Columns	Arms	Uprights	Swivel Pins	Legs	Carriages	Overhead Beam
Tracks	Cross Rails	Top Rail Beam				

Limited One-Year Warranty:

Tuxedo Distributors, LLC offers a limited one-year warranty to the original purchaser of Lifts and Wheel Service equipment in the United States and Canada. Tuxedo will replace, without charge, any part found defective in materials or workmanship under normal use, for a period of one year after purchase. The purchaser is responsible for all shipping charges. This warranty does not apply to equipment that has been improperly installed or altered or that has not been operated or maintained according to specifications.

Other Limitations:

This warranty does not cover:

1. Parts needed for normal maintenance
2. Wear parts, including but not limited to cables, slider blocks, chains, rubber pads and pulleys
3. Replacement of lift and tire changer cylinders after the first 30 days. A seal kit and installation instructions will be sent for repairs thereafter.
4. On-site labor

Upon receipt, the customer must visually inspect the equipment for any potential freight damage before signing clear on the shipping receipt. Freight damage is not considered a warranty issue and therefore must be noted for any potential recovery with the shipping company.

The customer is required to notify Tuxedo of any missing parts within 72 hours. Timely notification must be received to be covered under warranty.

Tuxedo will replace any defective part under warranty at no charge as soon as such parts become available from the manufacturer. No guarantee is given as to the immediate availability of replacement parts.

Tuxedo reserves the right to make improvements and/or design changes to its lifts without any obligation to previously sold, assembled or fabricated equipment.

There is no other express warranty on the Tuxedo lifts and this warranty is exclusive of and in lieu of all other warranties, expressed or implied, including all warranties of merchantability and fitness for a particular purpose. To the fullest extent allowed by law, Tuxedo shall not be liable for loss of use, cost of cover, lost profits, inconvenience, lost time, commercial loss or other incidental or consequential damages.

This Limited Warranty is granted to the original purchaser only and is not transferable or assignable.

Some states do not allow exclusion or limitation of consequential damages or how long an implied warranty lasts, so the above limitations and exclusions may not apply. This warranty gives you specific legal rights and you may have other rights, which may vary from state to state.

8320 E Hwy 67, Alvarado, TX 76009
Ph. 817-558-9337 / Fax 817-558-9740