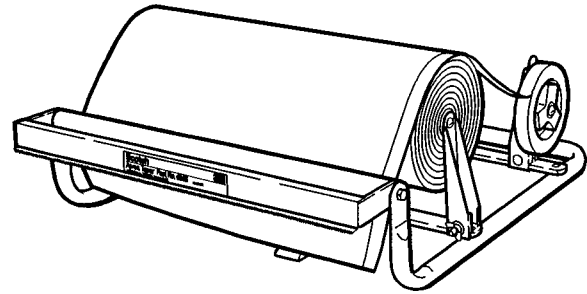


# Instructions and Parts List

# Scotch®

## Part Nos. 6865 – 6866

## Apron Tapers Model 481



### Description

The 6865/6866 Apron Tapers provide a convenient method for laminating masking tape to the edge of masking paper to form an apron for paint masking. The 6865 and 6866 Apron Tapers feature top loading, and easy operation and adjustment.

### Specifications

**Tape:** Most Scotch® brand masking tapes

**Tape Width:** 3/4 inch or 18 mm minimum

**Tape Roll Diameter:** 5-1/2 inches [140 mm] maximum on a 3 inch [76,2 mm] core

**Masking Media:** Scotch® brand masking paper

**Paper Widths:** 6865 – up to 18 inches [460 mm]

6866 – up to 36 inches [915 mm]

**Paper Roll Diameter:** 9-1/2 inches [240 mm] maximum on a 1 inch [25 mm] core

### Overall

Dimensions:	6865	6866
Height:	7 inches [180 mm]	7 inches [180 mm]
Width:	21 inches [535 mm]	42 inches [1065 mm]
Length:	22-3/4 inches [580 mm]	22-3/4 inches [580 mm]
Weight:		
Packaged:	13 lbs. [5,9 kg]	25 lbs. [11,3 kg]
Unpackaged:	10-3/4 lbs. [4,9 kg]	20-1/4 lbs. [9,2 kg]

### Set-Up Instructions

#### Assembly

**6865/6866:** Packaged and shipped completely preassembled ready for use. Designed to be operated from a horizontal surface without permanent mounting.

Part Nos. 6865-6866 Apron Tapers (6865 shown)

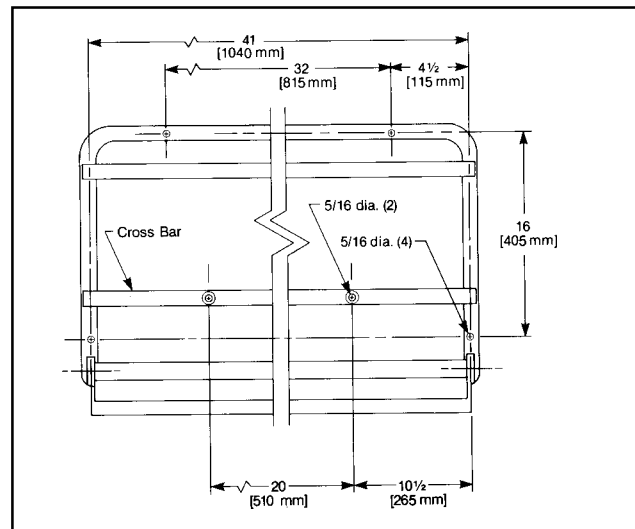


Figure 1 – 6866 Mounting Hole Locations, Top View

### Mounting Instructions

The 6865/6866 Apron Tapers can be permanently mounted to a horizontal or vertical surface if desired.

**6866:** Four 5/16 inch diameter holes are provided in the tubular frame.

Refer to figure 1 for the mounting hole locations. For vertical mounting, pivot the knife bracket up 90°.

# Loading and Operating Instructions

## To Load the Paper Roll (Refer to Figure 2)

1. Loosen, but do not remove, the wing nut on the left paper roll bracket (A). Position the bracket with the plastic hub facing in on the front cross bar 1/4 to 3/8 inch or 7 to 10 mm from the end. Tighten the wing nut to secure the bracket on the cross bar.
2. Loosen, but do not remove, the wing nut on the right paper roll bracket (AA). Position the bracket with the plastic hub facing in on the front cross bar to allow installation of the paper roll. Install the paper roll to dispense the paper toward the knife bracket (B). Place the paper roll core on the plastic hub of the secured bracket (A). Hold the paper roll horizontal with the spring brake (C) compressed under the roll, the spring brake being approximately centered under the paper roll. Slide the bracket (AA) in snug on the roll with the plastic hub in the paper roll core. Tighten the wing nut to secure the right bracket on the cross bar.

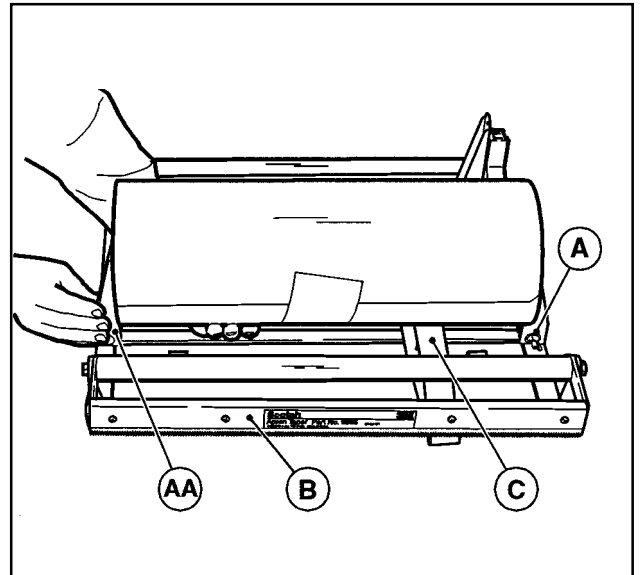


Figure 2

## To Load the Tape Roll (Refer to Figure 3)

3. Loosen, but do not remove, the wing nut on the tape roll bracket (D). Position the bracket with the tape drum facing left on the rear cross bar and in line with the left edge of the paper roll. Tighten the wing nut to secure the bracket on the cross bar.
4. Place the tape roll on the tape drum to dispense the tape toward the paper roll, adhesive side down. Fully seat the tape roll against the tape drum flange. Pull 8 to 10 inches or 205 to 250 mm of tape from the roll and tack it to the edge of the paper roll even with the lead end of the paper.
5. Break the seal on the paper roll and thread the paper apron between the guide spring (E) and guide roller (F). Pull the leading end of the paper apron out and forward under the knife bracket (B).

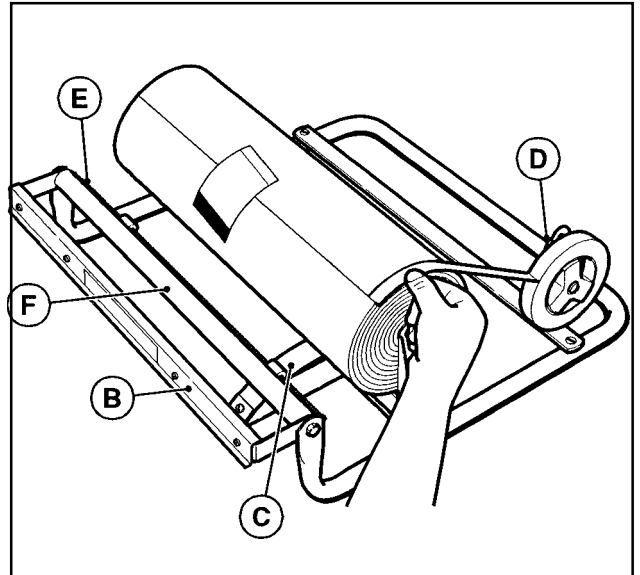


Figure 3

**To dispense paper apron** – Grip the lead end of the paper apron near the taped edge (do not touch adhesive) and, for best results, pull the desired length paper apron straight out smoothly as shown in figure 4.

**NOTE:** Pulling the apron out at an excessive side angle will cause puckering of the paper apron.

**To cut paper apron** – Move the full width of the paper apron against the serrated blade (BB). For best results, start the cut at the tape end of the apron. Maintain tension on the paper apron and continue to pull across the blade in the direction of the cut.

## Adjustments

### Tape Overlap (Refer to Figure 3)

For the best application results, maintain a 1/3 tape width overlap on the paper. To obtain proper tape overlap, loosen the wing nut on bracket (D) and slide it on cross bar. Tighten wing nut to secure the bracket on cross bar. The tape to paper overlap is self aligning as the paper apron is dispensed.

### Spring Brake Position (Refer to Figure 3)

For best operating results, locate spring brake approximately at center of paper roll. To obtain proper position, loosen but do not remove, the lock nut on the spring brake (C) and slide it on the cross bar. Tighten the lock nut to secure the brake on the cross bar.

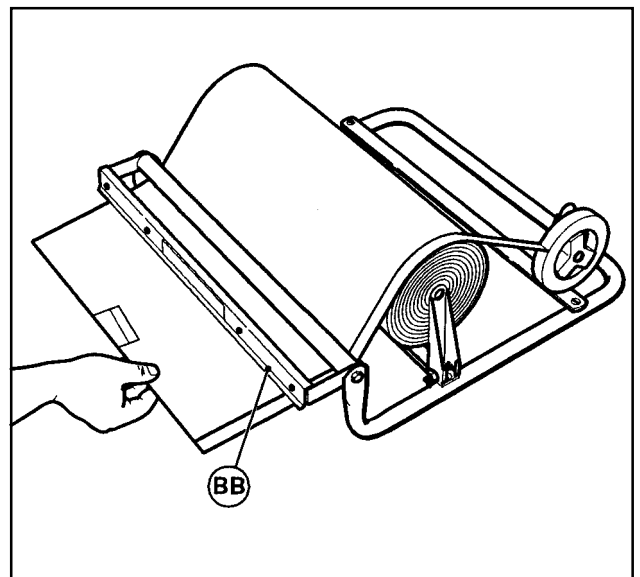


Figure 4

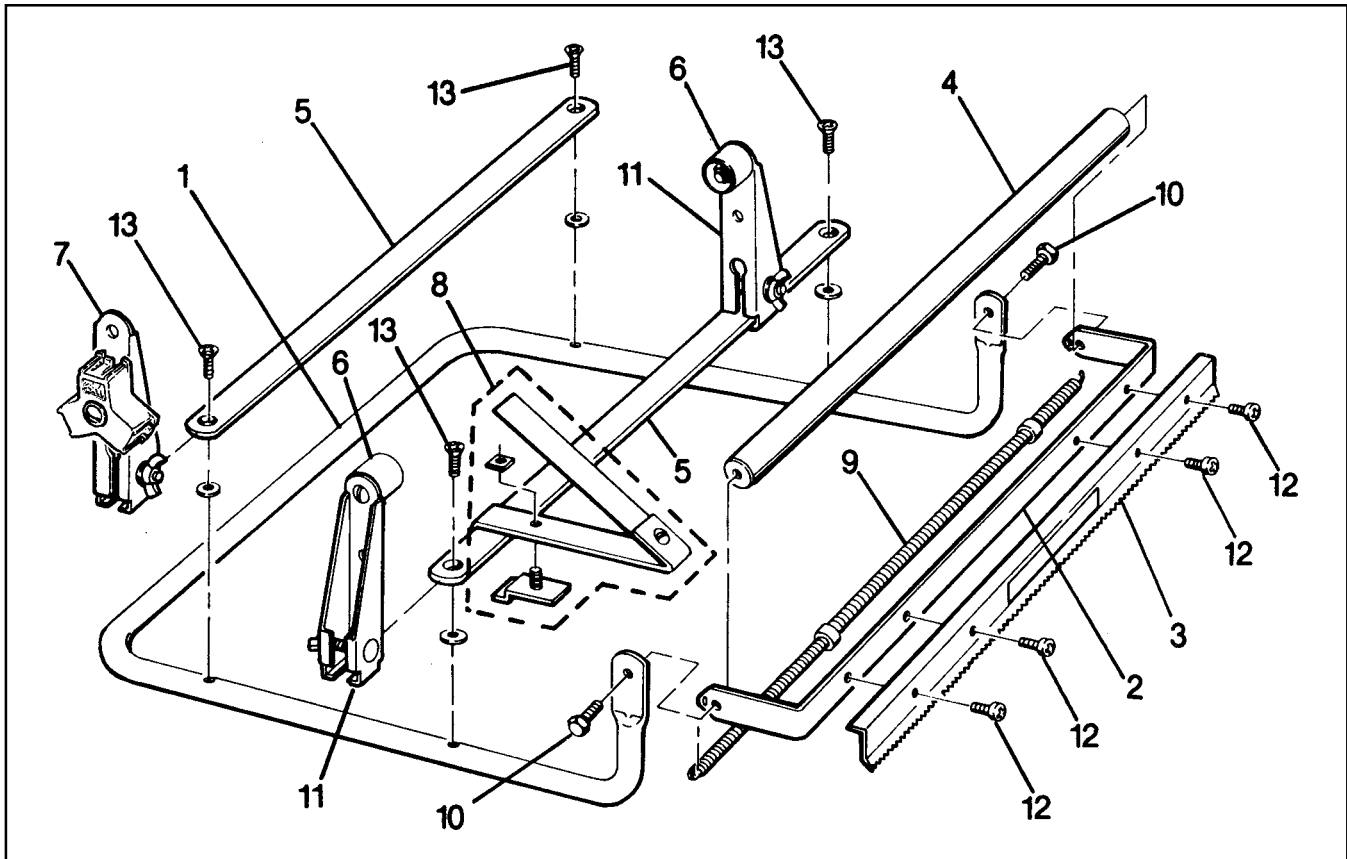


Figure 5 – 6865-6866 Replacement Parts

## Replacement Parts List

Ref. No.	Description	6865 Part Number	6866 Part Number
1	Frame Assembly	70-8043-8924-8	70-8043-8925-5
2	Knife Bracket	70-8026-5685-6	78-8026-5687-2
3	Blade Serrated	78-8026-5702-9	78-8026-5703-7
4	Roller Assembly	70-8126-1021-3	70-8126-1022-1
5	Cross Bar	70-8040-3102-2	70-8040-3103-0
6	Bushing	70-8000-0483-3	70-8000-0483-3
7	Tape Drum Bracket Assembly	70-8121-6430-2	70-8121-6430-2
8	Paper Roll Spring Brake Assembly	70-8200-6855-2	70-8200-6855-2
9	Guide Spring	70-8634-7062-4	70-8634-7063-2
10	Hinge Pin	70-8654-7501-9	70-8654-7501-9
11	Paper Roll Bracket Assembly	70-8041-7149-7	70-8041-7149-7
12	Screw, "TAPTITE" Pan Hd. 8-32x1/4 Lg.	26-1004-4544-9	26-1004-4544-9
13	Screw, Phillips Flt. Hd. 1/4-20x3/4 Lg.	26-1002-5328-0	26-1002-5328-0

## Accessories

Mounting Bracket Assembly  
Not shown (Qty: 2 required)

78-8026-5705-2

-----

## How To Order Replacement Parts

1. Refer to Parts Illustration Figure 5 to find part needed and reference number.
2. Refer to parts list for correct part number.
3. Order by **part number, description, dispenser name and model number.**

Minimum billing on parts orders will be \$25.00.  
Replacement part prices available on request.  
\$10.00 restocking charge per invoice on returned parts.

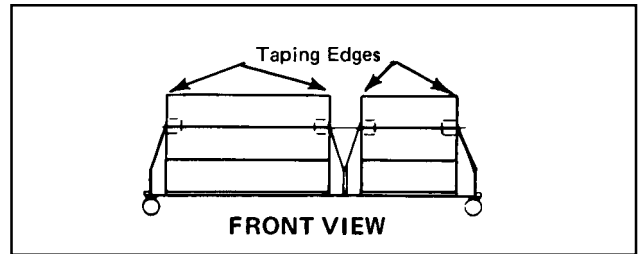
4. Replacement parts and part prices available direct from:

**3M/Tape Dispenser Parts**  
241 Venture Drive  
Amery, WI 54001-1325

1-800/344 9883  
FAX# 715/268 8153

## Parts Available For Inboard Paper Apron Edge Taping

The following standard apron taper parts are available to supplement the apron taper for dispensing more than one apron where taping either edge of the apron or aprons is desired. The use of these parts allows the use of 3/8 to one inch or 9 to 24 mm wide tape on both apron edges as shown. The 6865 combined paper roll width capacity is up to 15 inches [380 mm]. Maximum paper roll combinations include 12<sup>1</sup>/<sub>3</sub>" and 9<sup>1</sup>/<sub>6</sub>". Loading and operating is the same as the standard 6865-6866 apron tapers.



Qty.	Part Number	Description
1	70-8121-6430-2	Tape Drum Bracket Assy.
1	70-8200-6855-2	Paper Roll Spring Brake Assy.
2	70-8041-7149-7	Paper Roll Bracket Assy.

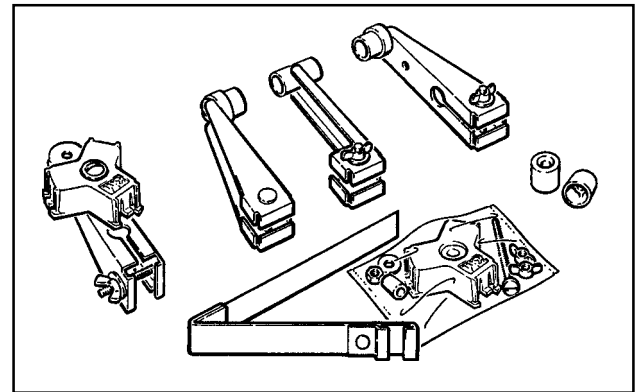
Order required parts as noted for each additional apron. Refer to "How To Order Replacement Parts" for repair parts and services.

## Attachment

### Scotch®

**Part No. 6782**  
**Dual Paper Roll Conversion Kit**  
 (Outboard Apron Edge Taping)  
**For Use With:**  
**Part No. 6865 and 6866**

The Part No. 6782 Kit is available as a supplement to the standard apron taper to provide dispensing of more than one apron. The use of this kit allows the use of 3/8 inch [9 mm] to one inch [24 mm] wide tape on the outboard apron edges only.



For kit price, contact a 3M Representative.

Part No.	Description
6782	Two Paper Roll Conversion Kit

**IMPORTANT NOTICE:** User is responsible for determining whether the Scotch brand masking equipment is fit for a particular purpose and suitable for users method of application

**LIMITED WARRANTY:** 3M warrants for 90 days from the date of delivery that the "Scotch" brand masking equipment shall be free of defects in material and manufacture. **3M MAKES NO OTHER WARRANTIES, EXPRESS OR IMPLIED, INCLUDING, BUT NOT LIMITED TO, ANY IMPLIED WARRANTY OF MERCHANTABILITY OR FITNESS FOR A PARTICULAR PURPOSE.** This Limited Warranty does not cover routine maintenance, normal wear and tear, or damage resulting from accident, misuse, alteration, corrosion, lack of reasonable care, service performed by an unauthorized repair service, use of unauthorized replacement parts or accessories, or installation, operation, or maintenance not in accordance with 3M recommended procedures.

**LIMITATION OF REMEDIES AND LIABILITY:** If the Scotch brand masking equipment is proved to be defective during the warranty period. **THE EXCLUSIVE REMEDY, AT 3M's OPTION, SHALL BE TO REFUND THE PURCHASE PRICE OF OR TO REPAIR OR REPLACE THE DEFECTIVE EQUIPMENT,** provided that the equipment, at 3M's choice, is returned immediately to 3M. 3M shall not otherwise be liable for any loss or damages, whether direct, indirect, special, incidental, or consequential, regardless of the legal theory asserted, including negligence, contract, warranty, or strict liability.



Automotive Aftermarket Division  
 www.3M.com/automotive  
 1-877-MMM-CARS (666-2277)

"Scotch" is a registered trademark of 3M  
 3M is a trademark of 3M  
 5/2007